

MICRO SWITCH

A DIVISION OF MINNEAPOLIS-HONEYWELL REGULATOR COMPANY
 FREEPORT, MINNESOTA

FED. MFR. CODE 91929

SWITCH - BASIC

CATALOG LISTING

BZ-2RW80-A2

ANZ5000

M BZ-2RW80-A2

PAGE 1 OF 1

DRAWING NUMBER

8

ISSUE

REPLACES

RELEASE NO.

CHECK

05

23 AUG 72

RJ

CHECK

29 MAR 92

DRAW

62

CHECK

DRAW

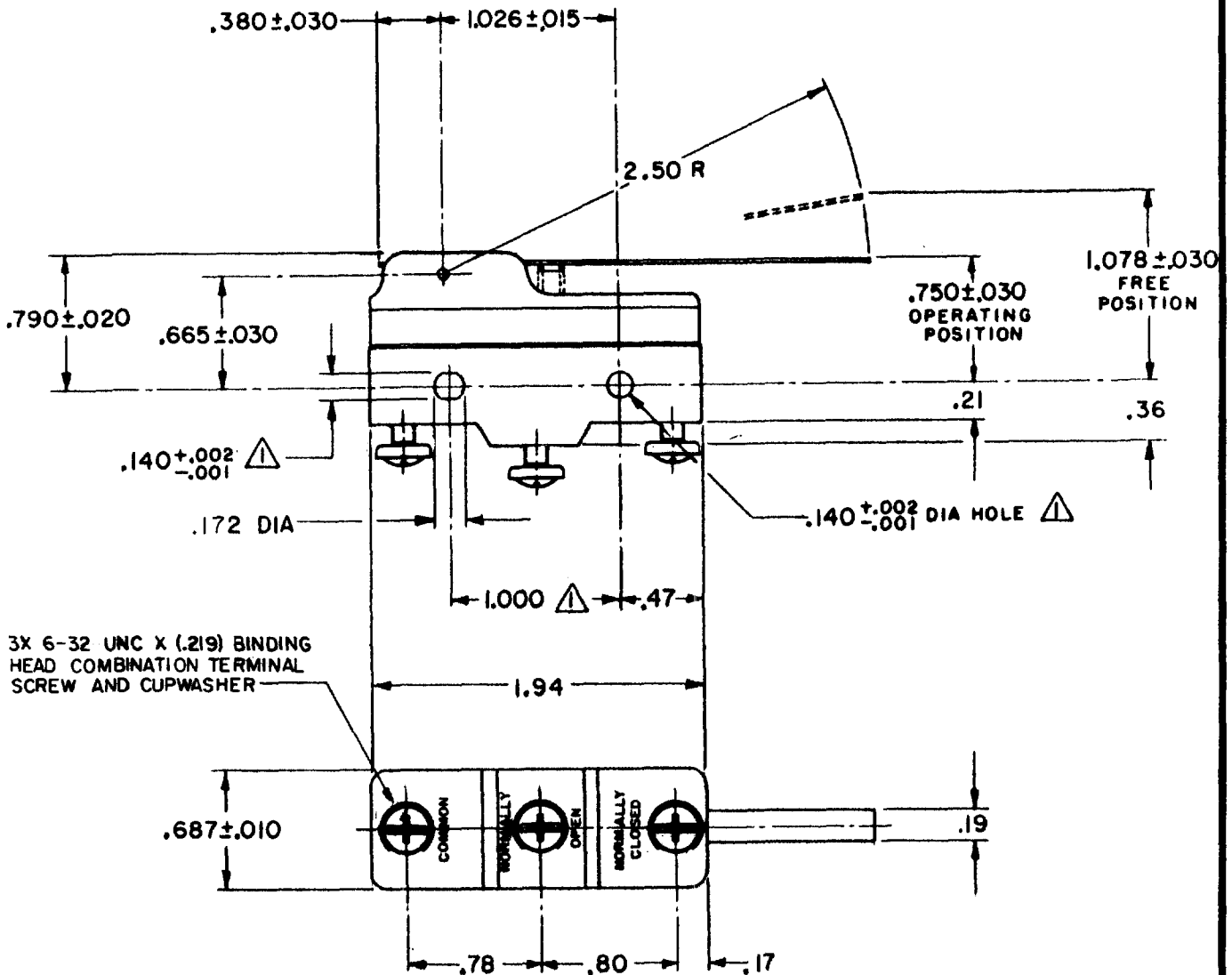
12 MAR 62

CHECK

12 MAR 62

DRAW

12 MAR 62



NOTE
 ▲ - MOUNTING HOLES WILL ACCEPT PINS OR SCREWS OF .139 MAX DIA ON $1.000 \pm .002$ CENTERS

THIS DRAWING COVERS A PROPRIETARY ITEM AND IS THE PROPERTY OF MICRO SWITCH, A DIVISION OF MINNEAPOLIS-HONEYWELL REGULATOR CO. THIS DRAWING IS NOT TO BE COPIED OR USED WITHOUT THE APPROVAL OF MICRO SWITCH.

CHARACTERISTICS	ELECTRICAL DATA	SCALE FULL
OPERATING FORCE ----- 2 1/2 OZ MAX	CONTACT ARRANGEMENT S P D T	DO NOT SCALE PRINT
RELEASE FORCE ----- 1/2 OZ MIN	15A - 125, 250 OR 480 VAC, 2A - 600 VAC -L74- 1/8HP - 125 VAC; 1/4HP - 250 VAC 1/2A - 125 VDC; 1/4A - 250 VDC	UNLESS OTHERWISE SPECIFIED DIMENSIONS ARE IN INCHES TOLERANCES ARE:
DIFFERENTIAL TRAVEL ----- .007 - .050	-L288- -L306- -L315-	ONE PLACE (.0) $\pm .030$ TWO PLACE (.00) $\pm .015$ THREE PLACE (.000) $\pm .005$ ANGLES \pm
OVERTRAVEL ----- .219 MIN	CE EN 05 EC 16A 250V ~ T85 5E4	WEIGHT .073 LB

FORMTEK

FO-50276